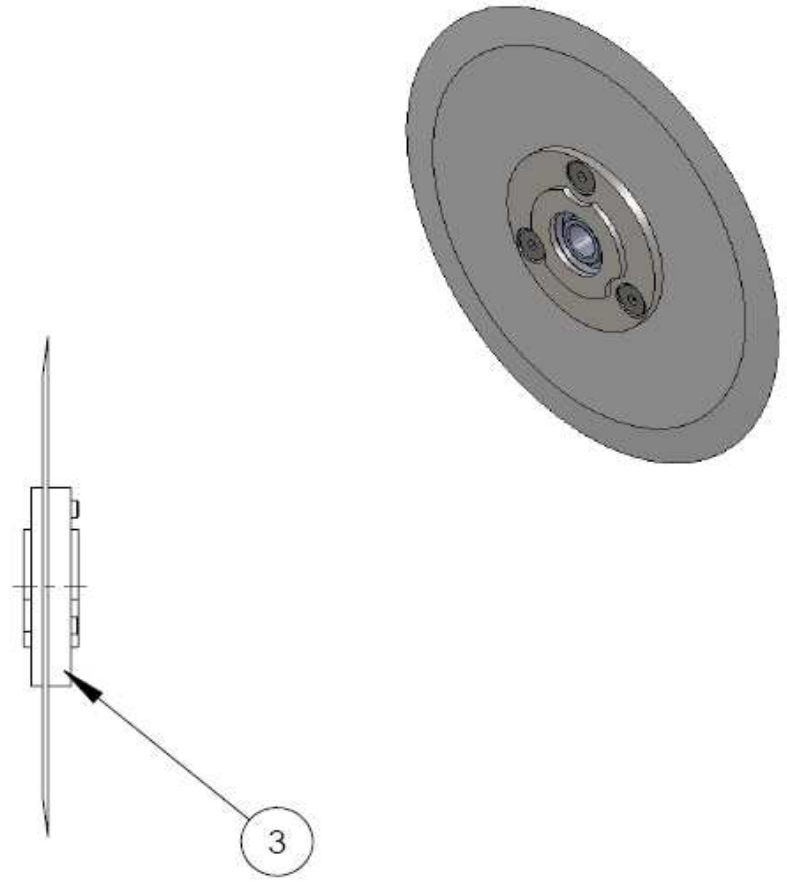
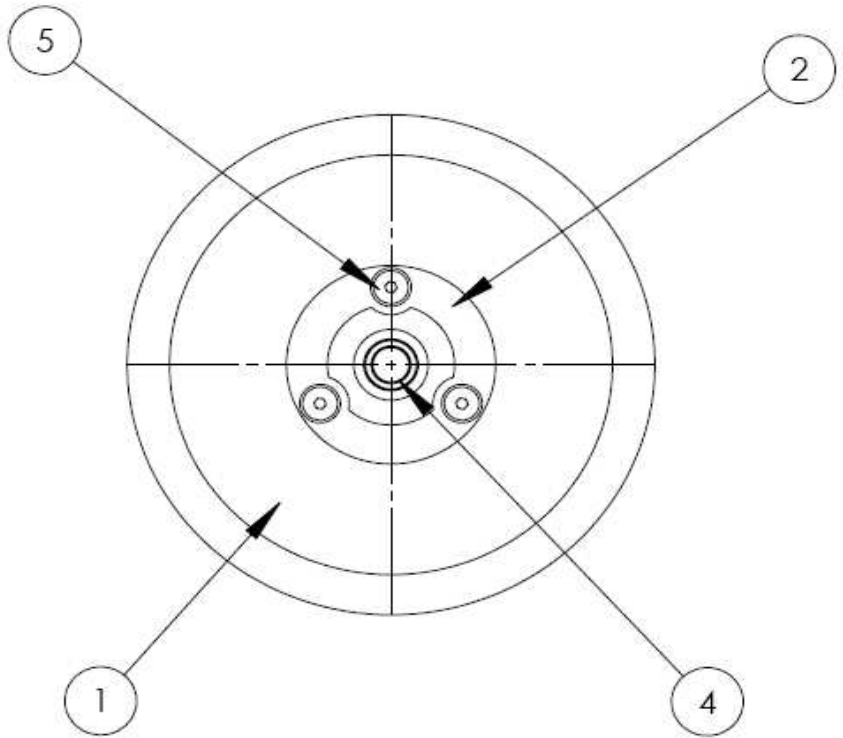


FIRST USED ON CAT. NO. THIS DRAWING IS THE PROPERTY OF BLEC GLOBAL LTD AND MUST NOT BE COPIED OR DISCLOSED TO A THIRD PARTY WITHOUT THE WRITTEN CONSENT OF BLEC GLOBAL LTD.

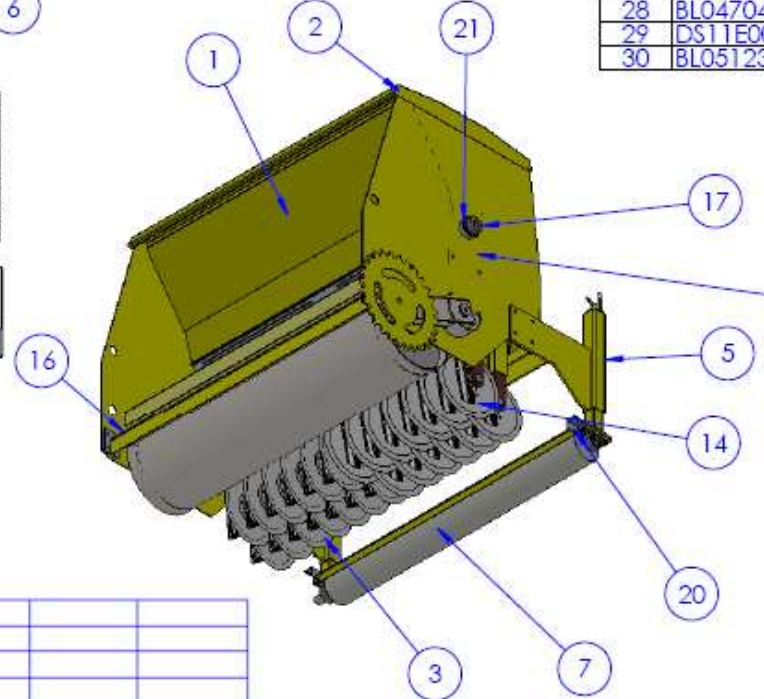
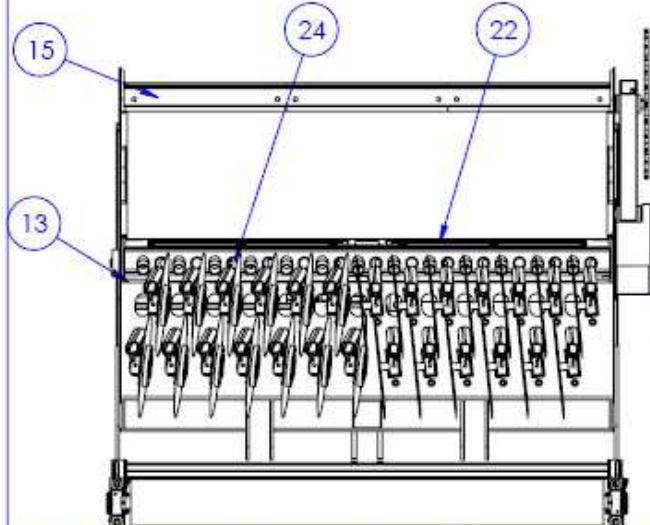
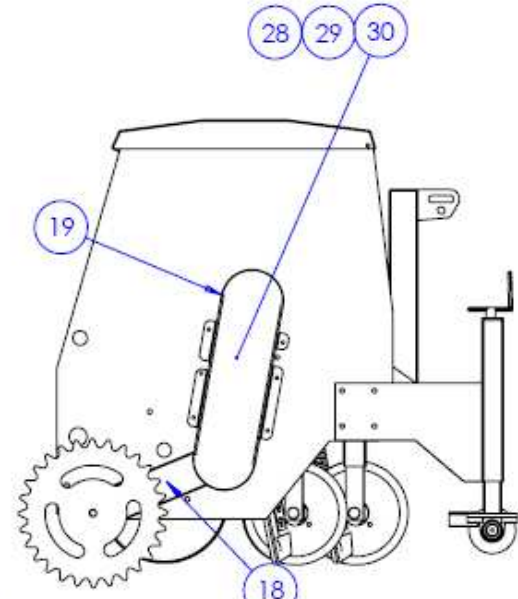
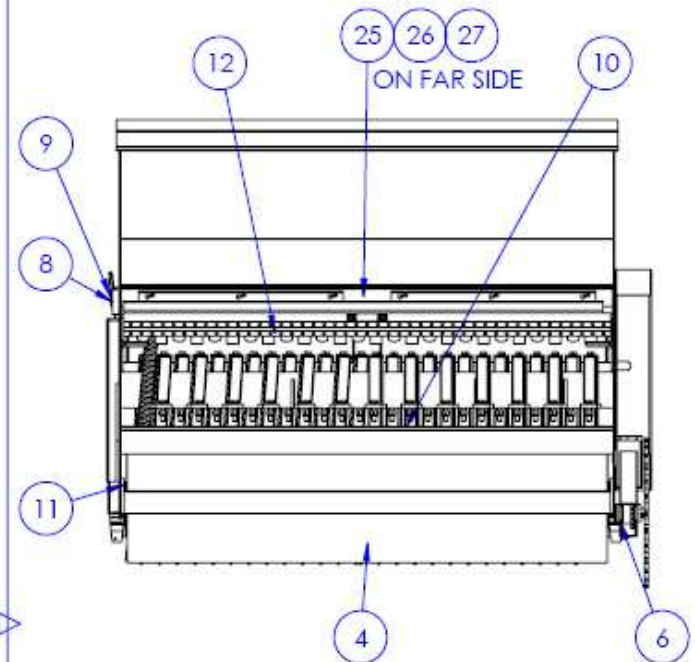


ITEM NO.	PART NUMBER	DESCRIPTION	QTY.
1	BL11D0170A	DISC ONLY	1
2	BL11D0173A	BEARING CLAMP CSK	1
3	BL11D0172B	BEARING CLAMP - TAPPED	1
4	BL05095 (3304)	20MM BEARING	1
5	BL02141B	M10x25 C'SK SOC SCREW	3



Tolerances except where otherwise stated			SURFACE TEXTURE		DO NOT SCALE DRAWING REVISION			Third Angle Projection
LINEAR DIMENSIONS	ANGLES	HOLES	X	X	SCALE	CONFORMS TO BS 308	UNIT OF MEASUREMENT	
X	X	X	X	X	X	YES	mm	
APPROVED MATERIAL					PROCESS SHEET AVAILABLE			DRIVE
24/08/2010					YES			
CHECKED	FINISH	PAINT BLACK			SHEET 1 OF 1 SHEETS			
X								
DRAWN	TITLE	DISC & BEARING ASSY			DWG NO.			
RG					BL11E0423			

FIRST USED ON: C.A.T. NO.: THIS DRAWING IS THE PROPERTY OF BLEC GLOBAL LTD AND MUST NOT BE COPIED OR DISCLOSED TO A THIRD PARTY WITHOUT THE WRITTEN CONSENT OF BLEC GLOBAL LTD.



CHAINCASE OMITTED FOR CLARITY.

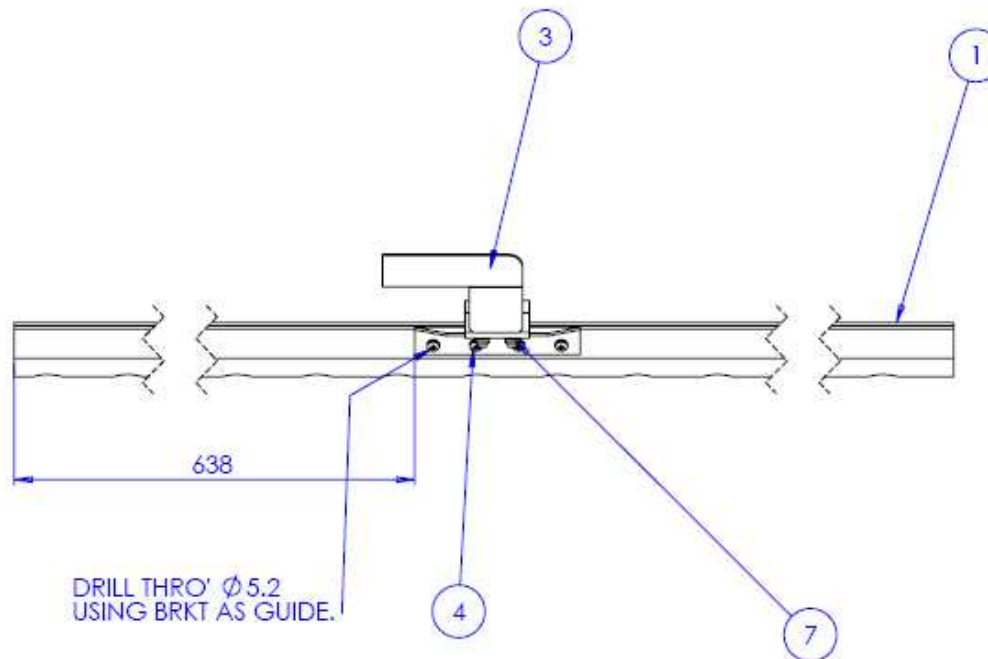
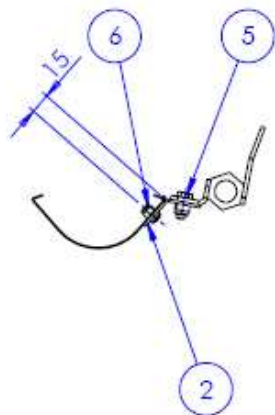
ITEM NO.	PART NUMBER	DESCRIPTION	QTY.
1	DS11E0019	DISCSEEDER BODY WA	1
2	DS11E0020	HOPPER LID ASSY	1
3	DS11E0025 (SEE DRAWING)	DISC ASSY	13
4	DS11E0018	ROLLER ASSY	1
5	DS11E0428	JACK WELD ASSY	2
6	BL05102	BEARING	2
7	DS11E4500	FRONT ROLLER	1
8	DS11E3001	SIDEPLATE BUSH	2
9	DS11E0021	SEED ROTOR	1
10	DS11E2001	treadplate - 1400	1
11	BL05124	BEARING	2
12	DS11E0030 (SEE DRG)	TUBE PLATE & HINGE ASSY	1
13	DS11E0421	BRACKET	2
14	DISC ASSY LH (DS11E0025)	DISC ASSY	13
15	DS11E0022	SCRAPER WA	1
16	DS11E5022	SCRAPER BLADE	3
17	BL11E0230A	16T GEAR	1
18	DS11E0026 (SEE DRAWING)	CHAINCASE & WHEEL ASSY	1
19	DS11E1110	UPPER CHAINGUARD	1
20	DS11E0023	FRONT SCRAPER WA	1
21	BL1150210A	NYLON BUSH	2
22	MS11E0361	SLIDER TRACK	2
23	MS11E0361 LH	SLIDER TRACK	2
24	DS11E0028 (SEE DRAWING)	SEED ADJUSTER ASSY	1
25	DS11E0024 (SEE DRAWING)	RAM CHANNEL ASSY	1
26	BL11E0228A	CAM GAUGE	1
27	BL03096	M10 WINGNUT	1
28	BL04704/39.5	UPPER CHAIN	1
29	DS11E0045	TENSIONER ARM W ASSY	1
30	BL05123	CHAIN SLIPPER	1

ISSUE	DATE	CHANGE NOTE	CERTIFIED

Tolerances except where otherwise stated			DO NOT SCALE DRAWING REVISION			Third Angle Projection
LINEAR DIMENSIONS	ANGLES	HOLES	SCALE	CONFORMS TO	UNIT OF MEASUREMENT	
X	X	X	X	BS 308	mm	
APPROVED MATERIAL			PROCESS SHEET AVAILABLE			
24/08/2010			YES			SHEET 1 OF 1 SHEETS
CHECKED	FINISH		DRAWN			
X	PAINT AS REQUIRED		RG			DISCSEEDER GA
DISCSEEDER GA			DISCSEEDER GA			A3

FIRST USED ON: CAT. NO. THIS DRAWING IS THE PROPERTY OF BLEC GLOBAL LTD AND MUST NOT BE COPIED OR DISCLOSED TO A THIRD PARTY WITHOUT THE WRITTEN CONSENT OF BLEC GLOBAL LTD.

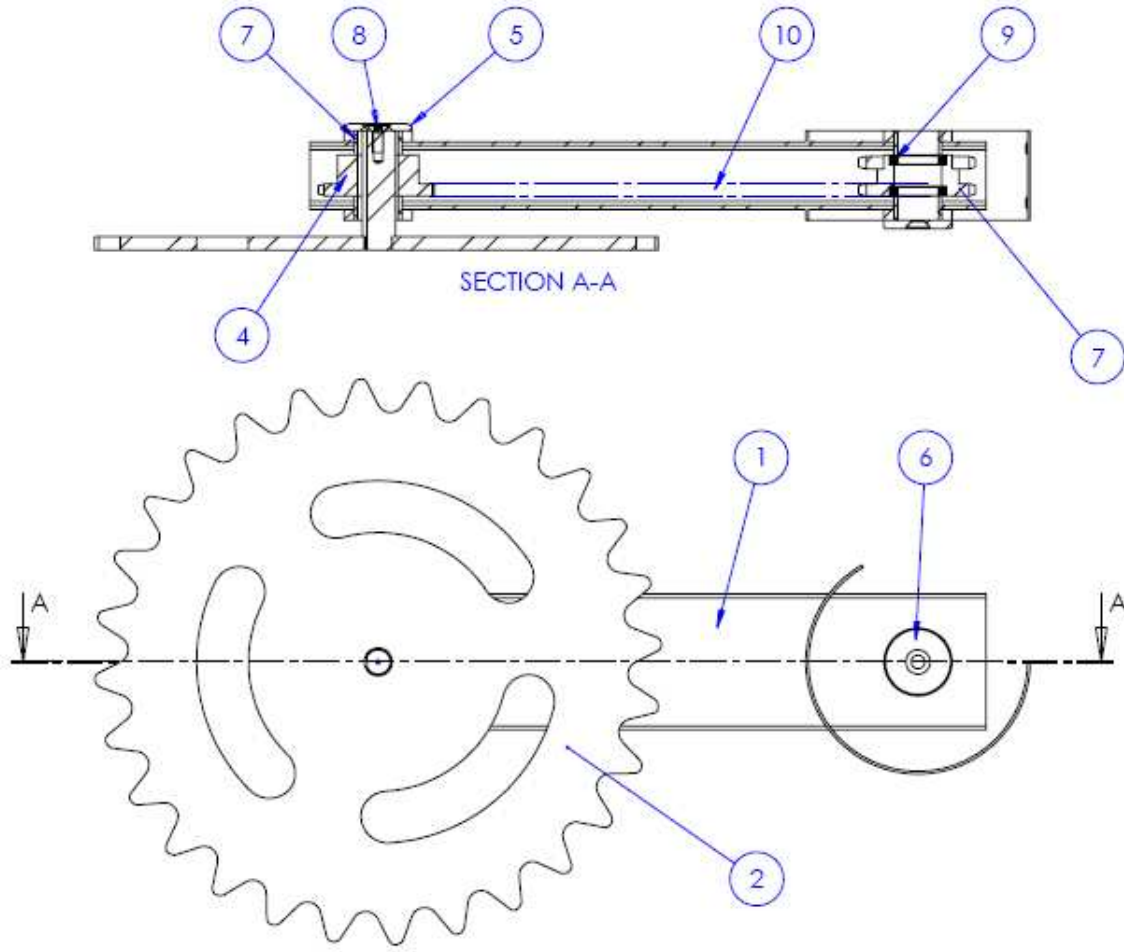
ITEM NO.	PART NUMBER	DESCRIPTION	QTY.
1	BL11E0209A	SEED ADJUSTER - 1400	1
2	DS11E299	SEED ADJUSTER BRKT	1
3	DS11E0001	SLEEVE WA	1
4	BL02050	Pan head screw - M5 x 10	4
5	BL02101	HEX SCREW M6x16	2
6	BL03033	M5 NYLOC NUT	4
7	BL03053	M6 NYLOC NUT	2



ISSUE							
DATE							
CHANGE NOTE							
CERTIFIED							

Isometric except where otherwise stated				SURFACE TEXTURE		DO NOT SCALE DRAWING REVISION			Third Angle Projection
LINEAR DIMENSIONS	ANGLES	HOLES		SCALE	CONFORMS TO BS 308	UNIT OF MEASUREMENT			
X	X	X		X		mm			
APPROVED MATERIAL						PROCESS SHEET AVAILABLE		DRIVE	
24/08/2010						YES		NO	
CHECKED				PAINT AS REQUIRED		SHEET 1 OF 1 SHEETS			
X									
DRAWN				SEED ADJUSTER ASSY		DWG NO.		DS11E0028	
RG									
BLEC GLOBAL LTD - CROWLAND - Lincs - ENGLAND						© 2010		A3	

ITEM NO.	PART NUMBER	DESCRIPTION	QTY.
1	DS11E0040	LOWER CHAINCASE W ASSY	1
2	DS11E0041	WHEEL ASSY	1
3	DS11E0042	DOUBLE SPROCKET	1
4	DS11E3005	SPROCKET	1
5	DS11E3006	BUTTON	1
6	DS11E3007	CAP	1
7	BL05135	BEARING BUSH	4
8	BL02122B	C'sunk head screw - M8 x 20	1
9	BL05025	61806 ZZ GL BEARING	2
10	BL04704/32.5	CHAIN - NOT SHOWN	1

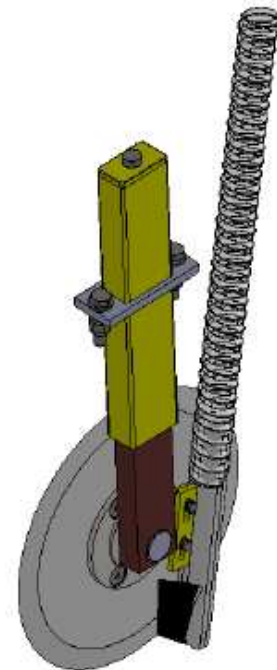
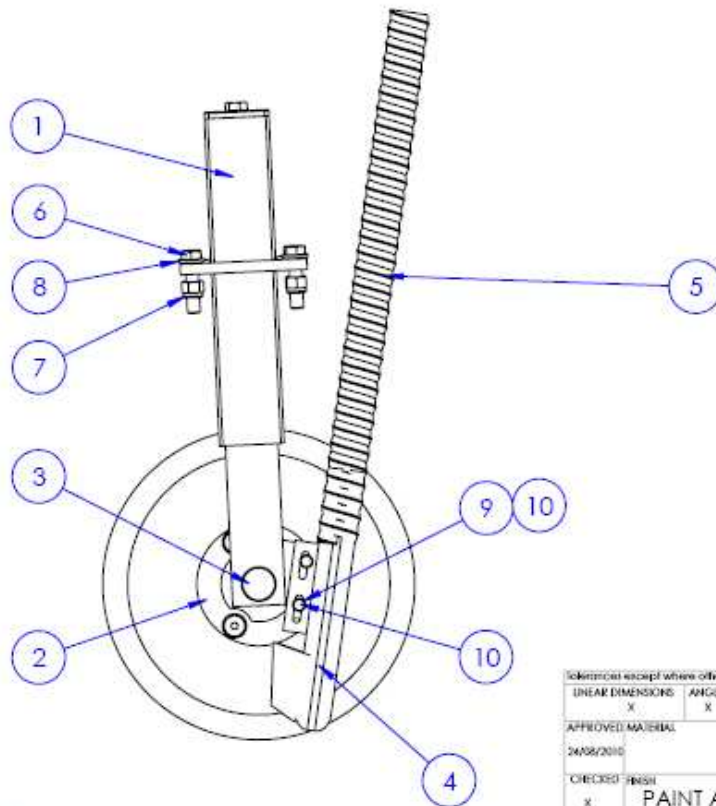
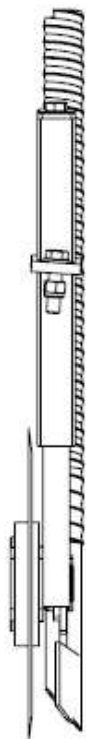


ISSUE							
DATE							
CHANGE NOTE							
CERTIFIED							

Tolerances except where otherwise stated				DO NOT SCALE DRAWING REVISION			Third Angle Projection
LINEAR DIMENSIONS	ANGLES	HOLES	SURFACE TEXTURE	SCALE	CONFORMS TO BS 308	UNIT OF MEASUREMENT	
X	X	X		X		mm	
APPROVED/MATERIAL							
24/08/2010							DRWG
CHECKED	FINISH			PROCESS SHEET AVAILABLE			
X	PAINT AS REQUIRED			YES			
DRAWN				DWG NO.			
RD				CHAINCASE & WHEEL ASSY		DS11E0025	
BLEC GLOBAL LTD - CROWLAND - Lincs - ENGLAND				© 2010		A3	

FIRST USED ON: CAT. NO. THIS DRAWING IS THE PROPERTY OF BLEC GLOBAL LTD AND MUST NOT BE COPIED OR DISCLOSED TO A THIRD PARTY WITHOUT THE WRITTEN CONSENT OF BLEC GLOBAL LTD.

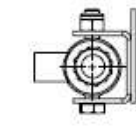
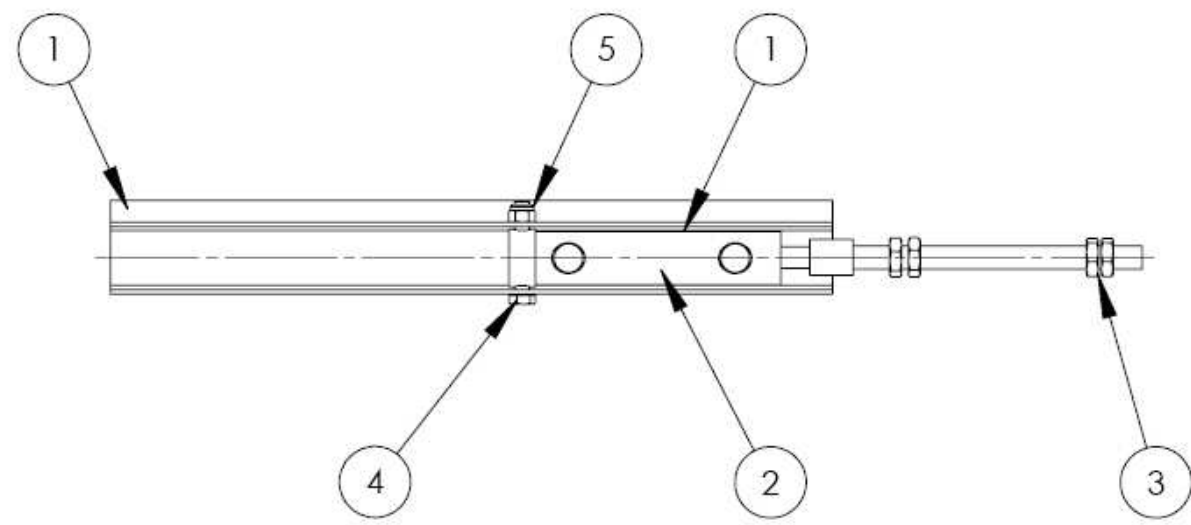
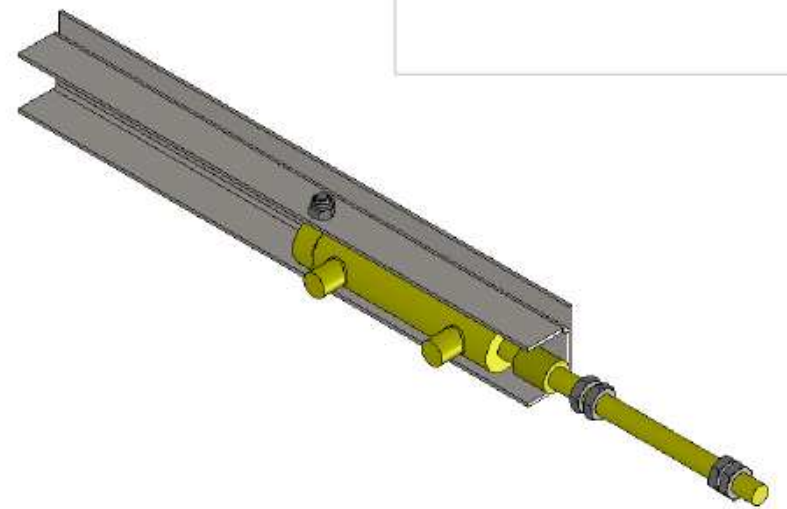
ITEM NO.	PART NUMBER	DESCRIPTION	QTY.
1	BL11D0204A/L+R	LEG C/W DISC	1
2	BL11E0423	DISC & BEARING ASSY	1
3	BL11D0174B	SPINDLE	1
4	BL11D0116A/L+R	COULTER	1
5	DS11E0500	SEED HOSE	1
6	BL02176	Hex head screw - M12 x 50	2
7	BL03113	M12 NYLOC NUT	2
8	BL03711	Plain Washer M12	2
9	BL03651	M6 FLAT WASHER	2
10	BL03053	M6 NYLOC T TYPE	2
15	BL02103	M6X25 HT SET	2
16	DS11E555	SPACER-SPINDLE	1
17	BL04920	CIRCLIP-SPINDLE	1



ISSUE						
DATE						
CHANGE NOTE						
CERTIFIED						

Isometric except where otherwise stated		SURFACE TEXTURE		DO NOT SCALE DRAWING REVISION		Third Angle Projection
LINEAR DIMENSIONS	ANGLES	HOLES	SCALE	CONFORMS TO BS 308	UNIT OF MEASUREMENT	
X	X	X	X	YES	mm	
APPROVED MATERIAL				PROCESS SHEET AVAILABLE		DWG
24MS/2010				YES		
CHECKED FINISH				NO		
X PAINT AS REQUIRED				SHEET 1 OF 1 SHEETS		
DRAWN TITLE		DWG NO.				
RG DISC ASSY		DS11E0025				
BLEC GLOBAL LTD - CROWLAND - UNCS - ENGLAND				© 2010		A3

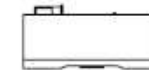
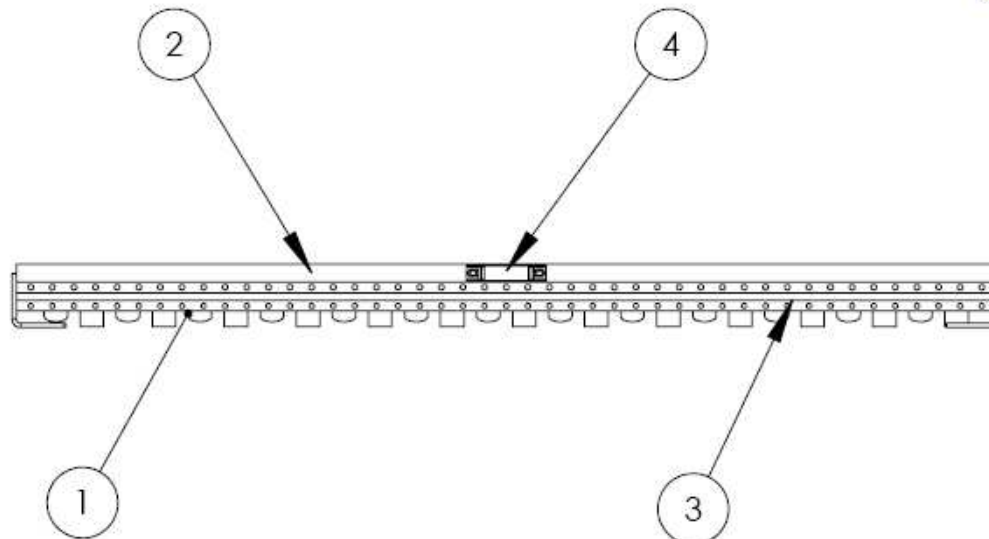
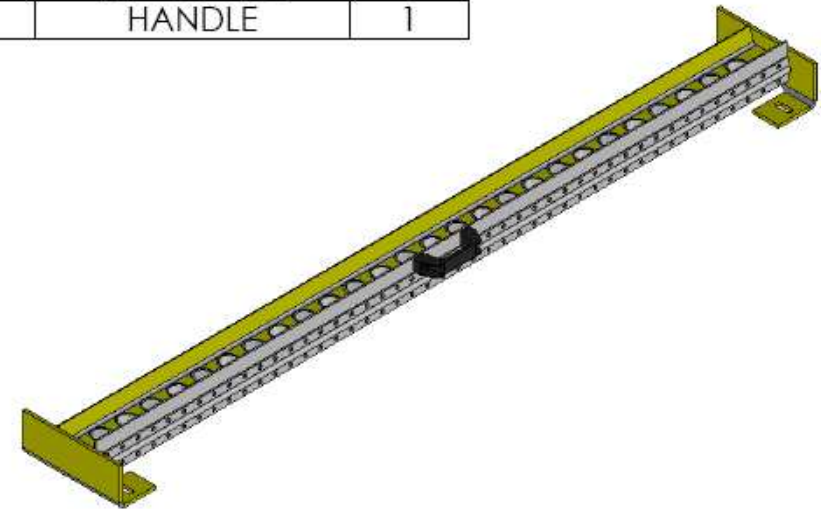
1	2	3	4	5	6
FIRST USED ON X	CAT. NO. X	THIS DRAWING IS THE PROPERTY OF BLEC GLOBAL LTD AND MUST NOT BE COPIED OR DISCLOSED TO A THIRD PARTY WITHOUT THE WRITTEN CONSENT OF BLEC GLOBAL LTD.			
ITEM NO.	PART NUMBER	DESCRIPTION	QTY.		
1	DS11E0035	RAM CHANNEL WA	1		
2	BL01012	RAM	1		
3	BL03152	Hexagon thin nut ISO 4035 - M16	4		
4	BL02149	Hex head screw - M10 x 65	1		
5	BL03039	hex nyloc nut ISO 7040 - M10	1		



Tolerances except where otherwise stated			SURFACE TEXTURE		DO NOT SCALE DRAWING REVISION			Third Angle Projection
LINEAR DIMENSIONS	ANGLES	HOLES	X		SCALE	CONFORMS TO	UNIT OF MEASUREMENT	
X	X	X	X		X	BS 308	mm	
APPROVED MATERIAL					YES	NO	DRIVE	
24/08/2010								
CHECKED	FINISH				PROCESS SHEET AVAILABLE			
X	PAINT AS REQUIRED				SHEET 1 OF 1 SHEETS			
DRAWN	TITLE				DWG NO.			
RG	RAM CHANNEL ASSY				DS11E0024			

FIRST USED ON X CAT. NO. X THIS DRAWING IS THE PROPERTY OF BLEC GLOBAL LTD AND MUST NOT BE COPIED OR DISCLOSED TO A THIRD PARTY WITHOUT THE WRITTEN CONSENT OF BLEC GLOBAL LTD.

ITEM NO.	PART NUMBER	DESCRIPTION	QTY.
1	DS11E0066	TUBE PLATE ASSY	1
2	DS11E2027	HINGE PLATE 1400	1
3	DS11E5002	HINGE 1400	1
4	HANDLE	HANDLE	1



Tolerances except where otherwise stated			SURFACE TEXTURE		DO NOT SCALE DRAWING REVISION			Third Angle Projection
LINEAR DIMENSIONS	ANGLES	HOLES			SCALE	CONFORMS TO BS 308	UNIT OF MEASUREMENT	
X	X	X		X	X		mm	
APPROVED MATERIAL					YES		NO	
24/06/2010					SHEET 1 OF 1 SHEETS		DRIVE	
CHECKED	FINISH				PROCESS SHEET AVAILABLE			DRIVE
X	PAINT AS REQUIRED				NO			
DRAWN	TITLE				DWG NO.			
RG	TUBE PLATE & HINGE ASSY				DS11E0030			